

AirRex[®]

piping system

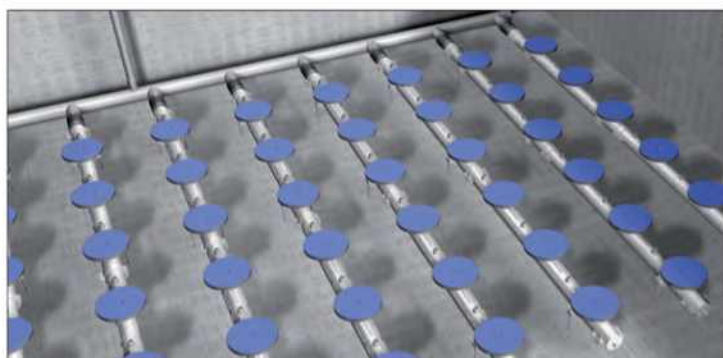


AirRex[®] is the first injection molded plastic piping assembly designed expressly for aeration service. It is available as a kit.

The modular concept in combination with the revolutionary, patent-pending, connection and the specially designed supports allow fast installations at low costs.



AirRex[®] can be retrofitted into basins equipped with fine bubble aeration to increase efficiency and yield a reasonable payback as well as older, coarse bubble installations. New installations will be the lowest cost high efficiency diffuser system available.



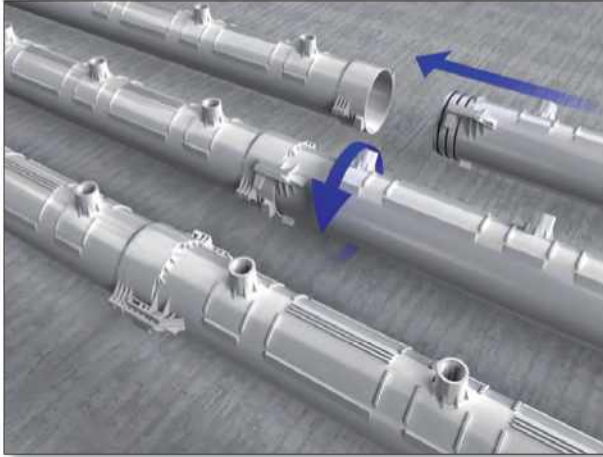
The **AirRex[®]** piping system is optionally equipped with a 3/4" NPT or BSP female thread.

The OTT **MAGNUM[®]** tube and the OTT **D-REX[®]** disc diffuser as well as disc diffusers from other manufacturers can be easily mounted on the **AirRex[®]** piping system by using adapters.

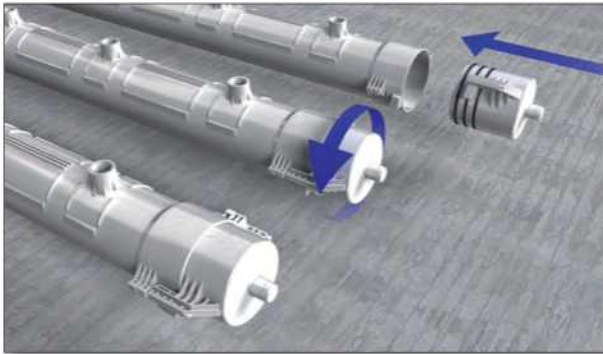
The Advantages

- + reduced design costs through standardized modules with standardized efficiencies
- + fastest installation times due to the revolutionary connection concept and **MAGNUM[®]** mount
- + the prefabricated connectors every 30 cm gain high flexibility and fast expansion opportunities
- + highest efficiency per installed unit area of diffuser because of the use of the **MAGNUM[®]** diffuser

AirRex® – easiest to design and to install aeration systems.



With only 3 different elements, **AirRex®** can be combined in lengths of about 1.8 meters (6 ft) for any basin configuration.



The **AirRex®** piping system is the first choice for operators, OEMs and engineers that demand high efficiency and quality at a lower cost than stainless steel piping. **AirRex®** systems rival the efficiency of strip or panel diffusers at a cost of lower density disc systems.



The **AirRex®** transition unit is available in DN 50 - 100 (2"-4"). This allows an easy integration in existing piping systems.



The Advantages

- + no pipewelding, coupling or adhesives required during installation
- + designed to allow thermal expansion without expansions joints
- + can be connected to any existing piping system
- + all components are recyclable and free of PVC

**OTT's AirRex® piping system and MAGNUM® tube diffusers –
The next level aeration technology.**



AirRex® piping system with **MAGNUM®** tube diffusers

